

BASES LOADED

*Innovation. Technology.
Stability. Alignment. It's
what we bring to the table.*

Multi-award-winning FLAT® AUTO-ADJUST Table Bases are always on, always working, and always stable—regardless of the situation. Our revolutionary base technology automatically adjusts to the surface below then locks into place. This “World’s First” patented technology also allows the user to align multiple table tops together, eliminating problematic table ridges for good.

With over 40 models and designs to suit virtually any environment, application, height, or table top size, we’ll have the perfect table solution for you.



AUTOMATIC STABILISATION
FLAT Table Bases stabilise instantly. When the table moves, the feet sense the change and re-adjust automatically.



ALIGNMENT
FLAT Table Bases help users align adjoining table tops by simply lifting or tilting the table top edges to the required levels.



DESIGN INTEGRATION
Our technology and table bases are designed to integrate perfectly to ensure maximum performance.



ENGINEERED DURABILITY
All FLAT products are manufactured and quality-assured to the highest standards, resulting in exceptional products that you can depend on.



OUTPERFORMS
Our table bases are capable of adapting to a far greater variety of surface inconsistencies than traditional methods of stabilising tables and deliver superior stability on uneven terrain.



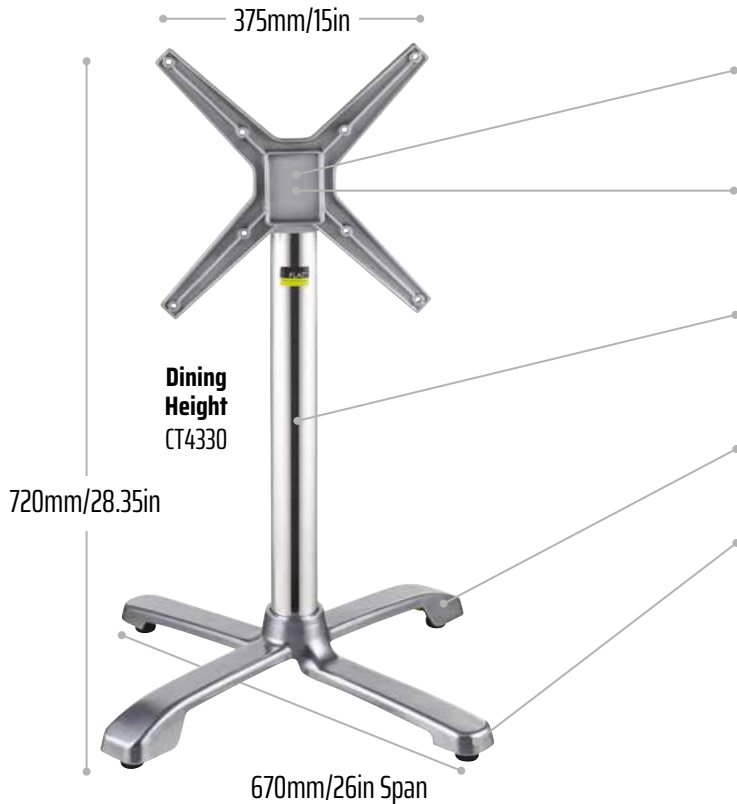
ACCESSIBILITY
A number of our bases provide enhanced accessibility for disabled users and can help operators comply with local legislations.*

*Local disability legislation differs in different regions. Contact us to discuss which product configurations can make you compliant.

TABLE BASES | AUTO-ADJUST SERIES

SX26

A great solution for indoor or outdoor use. Available in a polished, black, or EP* grey finish. Lightweight and easily maneuverable, these bases stack together when service has finished to clear the area. Available in dining and bar heights.



FLIP TOP PLATE

Superior quality top plate—allows stacking of multiple tables for efficient storage.

ROD

Thicker structural tension rod to hold base together securely.

POST

Wider diameter of 65mm/2.56in for structural support with increased wall thickness.

ALUMINIUM BASE

High-quality casting.

FLAT® TECHNOLOGY INSTALLED

The base and the technology are designed in unison to deliver superior performance and longevity.

SPECIFICATIONS

Material/Finish:

Polished Aluminium, EP* Grey, or Black Powder Coat

Base Span:

670mm/26in

Base Spread:

476mm/18.75in

DINING HEIGHT

Weight:

5.2kg/11.5lb
(6.4kg/14.1lb incl optional weight)

Top Plate Size:

375mm/15in

Max Table Top Size (Square):

800mm/32in

Max Table Top Size (Round):

800mm/32in

Max Table Top Weight:

10kg/22lb

Post/Column Width:

65mm/2.56in

BAR HEIGHT

Height:

1035mm/40.75in

Weight:

6.4kg/14.1lb

7.6kg/16.8lb (incl weight)

Max Table Top Size (Square):

650mm/26in

Max Table Top Size (Round):

750mm/30in

Max Table Top Weight:

8kg/17.5lb



Bar Height
CT4333



Dining Height (Black)
CT4331

Bar Height (Black)
CT4334

Dining Height (EP*)
CT4332

Bar Height (EP*)
CT4335

*Our EP (Extra Protection) coating is ideal for outdoor and coastal areas where atmospheric conditions can tarnish bases.

WARNING: Exceeding maximum recommended table top size and weight will reduce functionality and performance of the technology. See Table Top Size Guide for more info or consult with your FLAT representative for further information or alternative configurations.