

# BASES LOADED

*Innovation. Technology.  
Stability. Alignment. It's  
what we bring to the table.*

Multi-award-winning FLAT® AUTO-ADJUST Table Bases are always on, always working, and always stable—regardless of the situation. Our revolutionary base technology automatically adjusts to the surface below then locks into place. This “World’s First” patented technology also allows the user to align multiple table tops together, eliminating problematic table ridges for good.

With over 40 models and designs to suit virtually any environment, application, height, or table top size, we’ll have the perfect table solution for you.



## **AUTOMATIC STABILISATION**

FLAT Table Bases stabilise instantly. When the table moves, the feet sense the change and re-adjust automatically.



## **ALIGNMENT**

FLAT Table Bases help users align adjoining table tops by simply lifting or tilting the table top edges to the required levels.



## **DESIGN INTEGRATION**

Our technology and table bases are designed to integrate perfectly to ensure maximum performance.



## **ENGINEERED DURABILITY**

All FLAT products are manufactured and quality-assured to the highest standards, resulting in exceptional products that you can depend on.



## **OUTPERFORMS**

Our table bases are capable of adapting to a far greater variety of surface inconsistencies than traditional methods of stabilising tables and deliver superior stability on uneven terrain.



## **ACCESSIBILITY**

A number of our bases provide enhanced accessibility for disabled users and can help operators comply with local legislations.\*

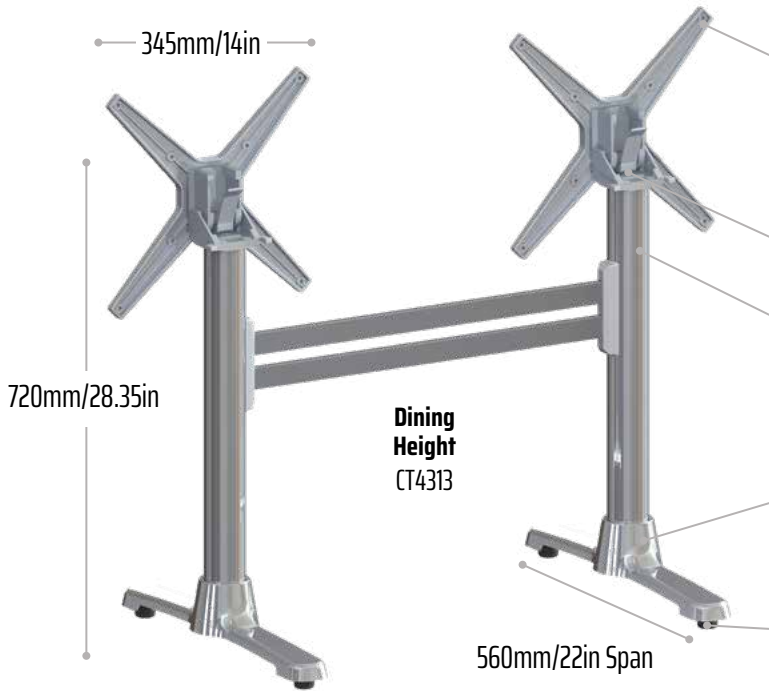
\*Local disability legislation differs in different regions. Contact us to discuss which product configurations can make you compliant.

# TABLE BASES | AUTO-ADJUST SERIES

COMING  
SOON

## ST22 Flip-Top

The ST22 is also available in a flip-top version, ideal for concepts in need of more indoor and outdoor dining versatility and storage solutions.



### FLIP TOP PLATE

Superior quality top plate—allows stacking of multiple tables for efficient storage.

### ROD

Thicker structural tension rod to hold base together securely.

### POST

Wider diameter of 65mm/2.56in for structural support with increased wall thickness.

### ALUMINIUM BASE

High-quality casting. Our stackable design provides an efficient storage solution.

### FLAT® TECHNOLOGY INSTALLED

The base and the technology are designed in unison to deliver superior performance and longevity.

## SPECIFICATIONS

<b>Material/Finish:</b>	Polished Aluminum, EP* Grey, or Black Powder Coat
<b>Base Span:</b>	560mm/22in
<b>Base Spread:</b>	105mm/4.2in

## DINING HEIGHT

<b>Weight:</b>	7kg/15.4lb (9.3kg/20.5lb incl optional weights)
<b>Top Plate Size:</b>	345mm/14in
<b>Max Table Top Weight:</b>	14kg/31lb
<b>Max Table Top Size (Rectangular):</b>	800x1200mm/32x47in
<b>Post/Column Width:</b>	65mm/2.56in

WARNING: Exceeding maximum recommended table top size and weight will reduce functionality and performance of the technology. See Table Top Size Guide for more info or consult with your FLAT representative for further information or alternative configurations.

Final designs may vary from those shown. Specifications subject to change.

\*Our EP (Extra Protection) coating is ideal for outdoor and coastal areas where atmospheric conditions can tarnish bases.

