

BASES LOADED

*Innovation. Technology.
Stability. Alignment. It's
what we bring to the table.*

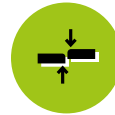
Multi-award-winning FLAT® AUTO-ADJUST Table Bases are always on, always working, and always stable—regardless of the situation. Our revolutionary base technology automatically adjusts to the surface below then locks into place. This “World’s First” patented technology also allows the user to align multiple table tops together, eliminating problematic table ridges for good.

With over 40 models and designs to suit virtually any environment, application, height, or table top size, we’ll have the perfect table solution for you.



AUTOMATIC STABILIZATION

FLAT Table Bases stabilize instantly. When the table moves, the feet sense the change and re-adjust automatically.



ALIGNMENT

FLAT Table Bases help users align adjoining table tops by simply lifting or tilting the table top edges to the required levels.



DESIGN INTEGRATION

Our technology and table bases are designed to integrate perfectly to ensure maximum performance.



ENGINEERED DURABILITY

All FLAT products are manufactured and quality-assured to the highest standards, resulting in exceptional products that you can depend on.



OUTPERFORMS

Our table bases are capable of adapting to a far greater variety of surface inconsistencies than traditional methods of stabilizing tables and deliver superior stability on uneven terrain.



ACCESSIBILITY

A number of our bases provide enhanced accessibility for disabled users and can help operators comply with local legislations.*

*Local disability legislation differs in different regions. Contact us to discuss which product configurations can make you compliant.

TABLE BASES | AUTO-ADJUST SERIES

PT23 ♦ Complements the PX table bases and allows restaurants to cater for groups seated around a rectangular table top. A lovely ornate design that suits a range of environments.



TOP PLATE

Superior quality—provides extra strength and stability.

POST

Solid, ornate post of 31–46mm/1.2–1.8in diameter provides increased structural support.

CAST IRON BASE

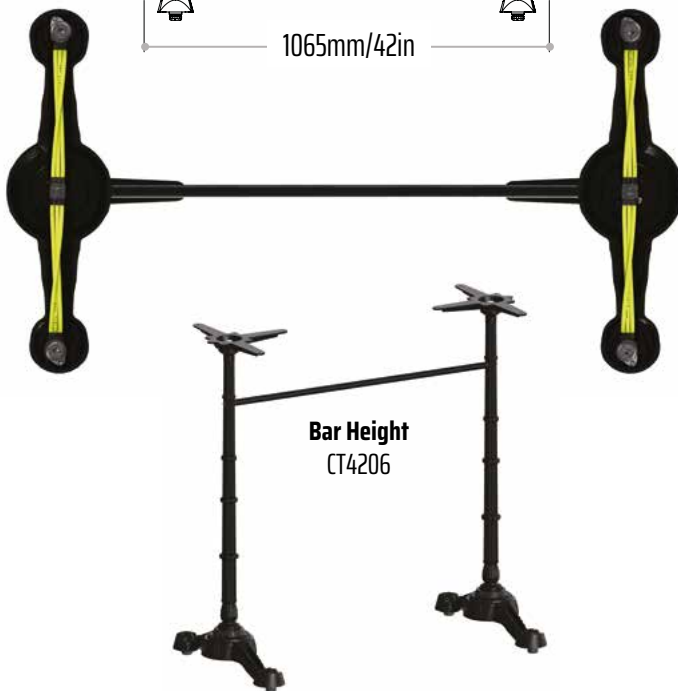
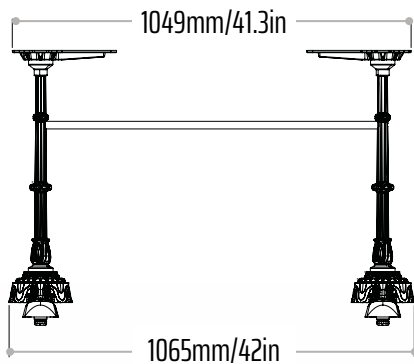
High-quality casting.

FLAT® TECHNOLOGY INSTALLED

The base and the technology are designed in unison to deliver superior performance and longevity.



ACCESSIBLE



SPECIFICATIONS

Material/Finish: Cast Iron/Textured

Base Span: 574mm/22.6in

Base Spread: 165mm/6.5in

DINING HEIGHT

Weight: 24.6kg/54.2lb

Top Plate Size: 290mm/11.4in

Max Table Top Size (Rectangular): 900x1400mm/36x55in

Max Table Top Weight: 35kg/77lb

Post/Column Width: 31–46mm/1.2–1.8in

BAR HEIGHT

Height: 1035mm/40.75in

Weight: 28.6kg/63.1lb

Max Table Top Size (Rectangular): 750x1200mm/30x47in

Max Table Top Weight: 29kg/64lb

WARNING: Exceeding maximum recommended table top size and weight will reduce functionality and performance of the technology. See Table Top Size Guide for more info or consult with your FLAT representative for further information or alternative configurations.